



External Power Supplies – Single Output: 6-100W

Listed below is our most popular commercial grade (UL 1950) single output AC DC power supplies are for designers who want to take AC power into their system and then regulate the power on-board to generate the voltages they need.



- Commercial Grade (UL 1950)
- Single Output
- 6-100 Watts
- Various Models Available in Fast Track Program

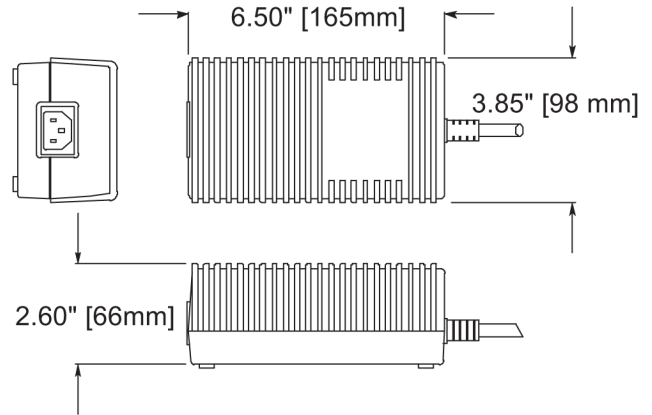
Model Numbers:

Model/Series	Volts	Input AC	Power (Watts)	Fast Track	Power Supply Type	PFC	CEC	RoHS	Class	
FW18	5,12,18,24	100-240	18	Yes	Switching Regulated	No	No	Yes	I	
FWC18	5,12,18,24	85-264	18	Yes	Switching Regulated	No	Yes	Yes	I	

FW30	12,15,18,24	100-240	30	Yes	Switching Regulated	No	No	Yes	I	
FWC30	9,12,15,18,24	85-264	30	Yes	Switching Regulated	No	Yes	Yes	I	
FW50	12,18,24	100-240	50	Yes	Switching Regulated	No	No	Yes	I	
FWC50	12,18,24	85-264	50	Yes	Switching Regulated	No	Yes	Yes	I	
FW60	12,24	100-240	60	Yes	Switching Regulated	No	No	Yes	I	
FW72	12,24	100-240	72	Yes	Switching Regulated	No	No	Yes	I	
FWP72	12,15,18,24,48,-48	100-240	72	No	Switching Regulated	No	No	No	I	
FW100	12	100-240	96	Yes	Switching Regulated	No	No	Yes	I	

FW72 series

72 Watt AC Adapter



Features

- Wide range AC input
- Fully regulated output
- High efficiency
- 5 year warranty
- RoHS compliant version available

Environmental

- Operating temperature..... 0° C to 40° C
- Storage temperature..... -55° C to 85° C
- Weight = 2.5 lbs

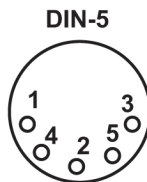
EMI/EMC

Meets FCC class B, CISPR 22 class B

Safety

- CSA Certified to CSA 950
- NRTL/C : UL 1950, CSA 950
- CE Marked

Polarity	1	2	3	4	5
DIN-5	Com	Com	+V	Com	+V



Polarity, 760:



Ordering Information

- FW = Series
- 72 = Watts DC Output
- XX = Voltage DC Output
- D5 = Output Connector (options available)
- F = RoHS Compliant
- NC = No AC input Cord (options available)

Electrical Specifications

Input

- Voltage..... 100 - 240 VAC
- Current..... 2.0 Amp @ 100 VAC
- Frequency..... 47 - 63 Hz
- AC cord..... Optional
- Input connector..... 3 Pin IEC 320 input receptacle

Output

- Line regulation..... TYP +/- 1%
- Load regulation..... TYP +/- 5%
- Set point..... +/- 3% at 60% load
- Hold up time..... 20 ms min at full load, 115 VAC
- Over voltage protection..... Built-in
- Over current protection..... Built-in
- Short circuit protection..... Pulsing mode, auto recovery
- Efficiency..... 80% min at full load and 115 VAC
- Transient response..... 2 ms for 50% load change typical
- Ripple/noise (V_{p-p})..... +/- 1% (20 MHz bandwidth)
- Output connector..... 5 pin DIN

Model No.	Voltage	Power	Current
FW7212-D5-NC	12V	72W	6.0A
FW7212-D5F-NC			
FW7224-D5-NC	24V	72W	3.0A
FW7224-D5F-NC			
FW7224-760-NC			
FW7224-760F-NC			